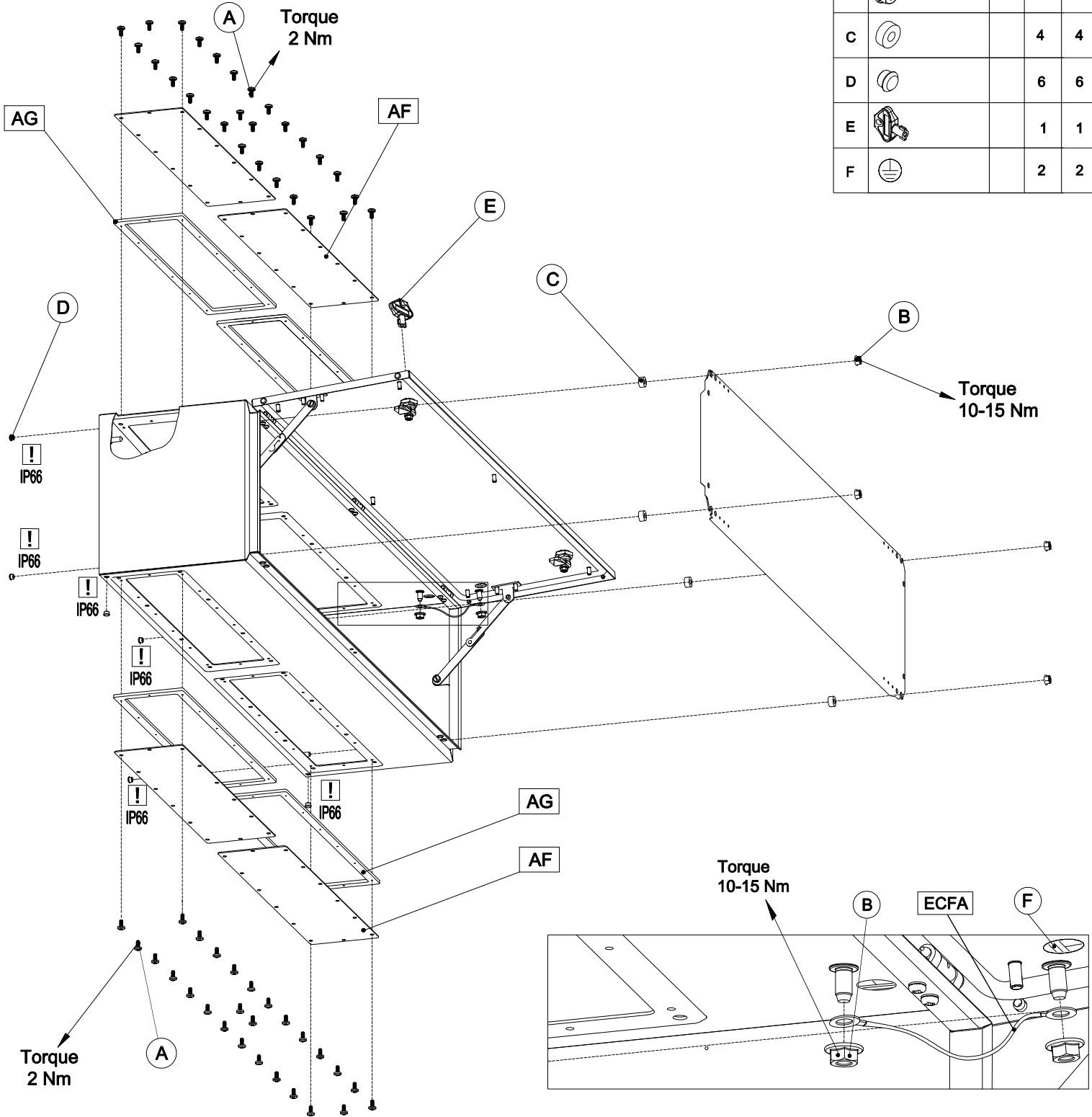


MAP



| Ref. | Pic. | W (mm) | 600 | 800 ↓ 1200 |
|------|----------|--------|-----|------------------|
| A | M4.8x9.5 | | 28 | 56 |
| B | M8 | | 6 | 6 |
| C | | | 4 | 4 |
| D | | | 6 | 6 |
| E | | | 1 | 1 |
| F | | | 2 | 2 |



WARNING: When mounting on or over a combustible surface, a floor plate of at least 1.43 mm galvanized or 1.6 mm uncoated steel extended at least 150 mm beyond the equipment on all sides must be installed.

WARNING: In order to maintain the environmental integrity of the enclosure, devices with the same environmental ratings shall be used to close openings in customized enclosure.