

CONCEPT DEEP HINGED WINDOW KIT

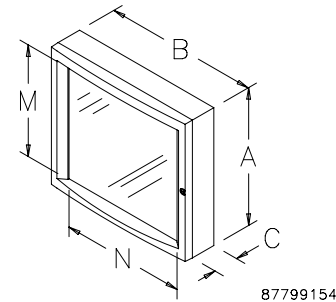
INDUSTRY STANDARDS

UL 508A, 508, File Number E61997: Type 12

NEMA Type 12
 CSA File Number LR42186: Type 12
 IEC 60529, IP66

APPLICATION

Kit is hinged on left side and has a single-point slotted latch (optional locking or non-locking wing knob latch is also available). Aesthetic die-cast aluminum frame has .188-in. (5-mm) thick, clear polycarbonate window. Two-inch space between enclosure front opening and window surface accommodates switches, lights, meters and other components. This kit can be used as an accessory window kit on larger standard Hoffman enclosure doors. Textured finish, ANSI 61 gray or RAL 7035 light gray.



87799154

BULLETIN: C2

Catalog Number	AxBxC in.	AxBxC mm	Finish	Window Size M x N (mm)	Window Size M x N (in.)
CWHD3136	12.20 x 14.17 x 3.31	310 x 360 x 84	ANSI 61	253 x 276	9.96 x 10.86
CWHD3136LG	12.20 x 14.17 x 3.31	310 x 360 x 84	RAL 7035	253 x 276	9.96 x 10.86
CWHD4045	15.75 x 17.72 x 3.39	400 x 450 x 86	ANSI 61	343 x 366	13.50 x 14.40
CWHD4045LG	15.75 x 17.72 x 3.39	400 x 450 x 86	RAL 7035	343 x 366	13.50 x 14.40
CWHD5557	21.65 x 22.44 x 3.50	550 x 570 x 89	ANSI 61	493 x 486	19.40 x 19.13

TYPE 12 HINGED WINDOW KIT



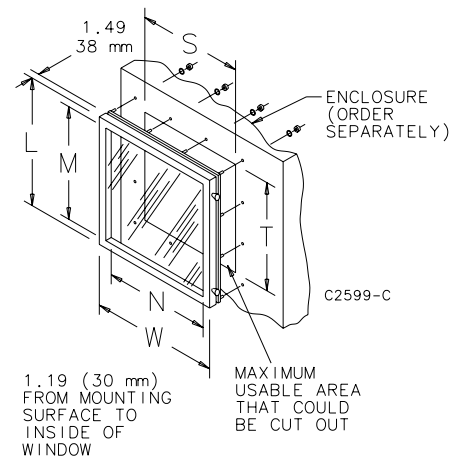
INDUSTRY STANDARDS

UL 508A Component Recognized; Type 12; File No. E61997

CSA Type 12; File No. 42186
 NEMA/EEMAC Type 12
 IEC 60529, IP55

For use as a viewing window where access to components mounted behind the window is required. Window is .25-in. (6-mm) clear polycarbonate. Easily mounted by drilling the appropriate mounting holes. All mounting hardware is provided. Continuous gaskets on all openings maintain UL Type 12 integrity. Finish is ANSI 61 gray polyester powder paint.

BULLETIN: A80W



Catalog Number	Window Size M x N in./mm	Overall L x W in./mm	S in./mm	T in./mm
APWK1212H	10.28 x 10.28	12.00 x 12.00	10.44	10.44
	261 x 261	305 x 305	265	265
APWK1612H	14.28 x 10.28	16.00 x 12.00	10.44	14.44
	363 x 261	406 x 305	265	367
APWK2016H	18.28 x 14.28	20.00 x 16.00	14.44	18.44
	464 x 363	508 x 406	367	468
APWK2020H	18.28 x 18.28	20.00 x 20.00	18.44	18.44
	464 x 464	508 x 508	468	468
APWK2420H	22.28 x 18.28	24.00 x 20.00	18.44	22.44
	566 x 464	610 x 508	468	570
APWK3024H	28.28 x 22.28	30.00 x 24.00	22.44	28.44
	718 x 566	762 x 610	570	722