

## Fiber optic - MC 1,5/10-LWL 1,5-3,81 - 1841174

Please be informed that the data shown in this PDF Document is generated from our Online Catalog. Please find the complete data in the user's documentation. Our General Terms of Use for Downloads are valid (<http://phoenixcontact.com/download>)

MINI COMBICON fiber optics, 3.81 mm pitch, 10-pos., separable for other numbers of positions (minimum: 2-pos.), inserts into the back of the MC header, color: transparent, dimension a: 1.5 mm




### Your advantages

- ✓ 10-pos., can be separated for other numbers of positions
- ✓ Minimum size: 2-pos.
- ✓ Bending of the light coming from low-profile SMD LEDs by 90°, making it visible from the front



### Key Commercial Data

Packing unit	50 pc
GTIN	 4 017918 111816
GTIN	4017918111816

### Technical data

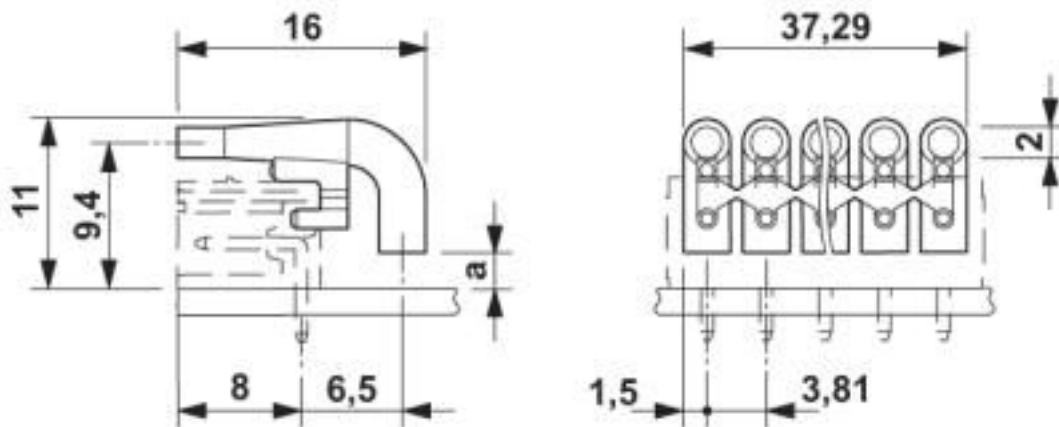
#### Environmental Product Compliance

China RoHS	Environmentally friendly use period: unlimited = EFUP-e
	No hazardous substances above threshold values

### Drawings

# Fiber optic - MC 1,5/10-LWL 1,5-3,81 - 1841174

Dimensional drawing



## Classifications

### eCl@ss

eCl@ss 10.0.1	27440392
eCl@ss 11.0	27460404
eCl@ss 4.0	27061000
eCl@ss 4.1	27061000
eCl@ss 5.0	27061000
eCl@ss 5.1	27061000
eCl@ss 6.0	27061000
eCl@ss 7.0	27061002
eCl@ss 8.0	27449203
eCl@ss 9.0	27440392

### ETIM

ETIM 3.0	EC001476
ETIM 4.0	EC001476
ETIM 5.0	EC002609
ETIM 6.0	EC002609
ETIM 7.0	EC002609

### UNSPSC

UNSPSC 6.01	30211810
UNSPSC 7.0901	39121409
UNSPSC 11	39121409
UNSPSC 12.01	39121409
UNSPSC 13.2	26121650
UNSPSC 18.0	26121650
UNSPSC 19.0	26121650
UNSPSC 20.0	26121650

# Fiber optic - MC 1,5/10-LWL 1,5-3,81 - 1841174

## Classifications

### UNSPSC

UNSPSC 21.0	26121650
-------------	----------

## Approvals

### Approvals

Approvals

EAC

Ex Approvals

### Approval details

EAC		B.01687
-----	--	---------

## Accessories

### Accessories

#### PCB headers

##### Printed-circuit board connector - MC 1,5/ 4-G-3,81 - 1803293

PCB headers, nominal cross section: 1.5 mm<sup>2</sup>, color: green, nominal current: 8 A, rated voltage (III/2): 160 V, contact surface: Tin, type of contact: Male connector, Number of potentials: 4, Number of rows: 1, Number of positions per row: 4, number of connections: 4, product range: MC 1,5/..-G, pitch: 3.81 mm, mounting: Wave soldering, pin layout: Linear pinning, solder pin [P]: 3.4 mm, Stecksystem: MINI COMBICON, Locking: without, type of packaging: packed in cardboard



##### Printed-circuit board connector - MC 1,5/12-G-3,81 - 1803374

PCB headers, nominal cross section: 1.5 mm<sup>2</sup>, color: green, nominal current: 8 A, rated voltage (III/2): 160 V, contact surface: Tin, type of contact: Male connector, Number of potentials: 12, Number of rows: 1, Number of positions per row: 12, number of connections: 12, product range: MC 1,5/..-G, pitch: 3.81 mm, mounting: Wave soldering, pin layout: Linear pinning, solder pin [P]: 3.4 mm, Stecksystem: MINI COMBICON, Locking: without, type of packaging: packed in cardboard



## Fiber optic - MC 1,5/10-LWL 1,5-3,81 - 1841174

### Accessories

#### Printed-circuit board connector - MC 1,5/14-G-3,81 - 1803390

PCB headers, nominal cross section: 1.5 mm<sup>2</sup>, color: green, nominal current: 8 A, rated voltage (III/2): 160 V, contact surface: Tin, type of contact: Male connector, Number of potentials: 14, Number of rows: 1, Number of positions per row: 14, number of connections: 14, product range: MC 1,5/..-G, pitch: 3.81 mm, mounting: Wave soldering, pin layout: Linear pinning, solder pin [P]: 3.4 mm, Stecksystem: MINI COMBICON, Locking: without, type of packaging: packed in cardboard



#### Printed-circuit board connector - MC 1,5/ 2-GF-3,81 - 1827868

PCB headers, nominal cross section: 1.5 mm<sup>2</sup>, color: green, nominal current: 8 A, rated voltage (III/2): 160 V, contact surface: Tin, type of contact: Male connector, Number of potentials: 2, Number of rows: 1, Number of positions per row: 2, number of connections: 2, product range: MC 1,5/..-GF, pitch: 3.81 mm, mounting: Wave soldering, pin layout: Linear pinning, solder pin [P]: 3.4 mm, Stecksystem: MINI COMBICON, Locking: Screw locking, type of packaging: packed in cardboard



#### Printed-circuit board connector - MC 1,5/ 3-GF-3,81 - 1827871

PCB headers, nominal cross section: 1.5 mm<sup>2</sup>, color: green, nominal current: 8 A, rated voltage (III/2): 160 V, contact surface: Tin, type of contact: Male connector, Number of potentials: 3, Number of rows: 1, Number of positions per row: 3, number of connections: 3, product range: MC 1,5/..-GF, pitch: 3.81 mm, mounting: Wave soldering, pin layout: Linear pinning, solder pin [P]: 3.4 mm, Stecksystem: MINI COMBICON, Locking: Screw locking, type of packaging: packed in cardboard



#### Printed-circuit board connector - MC 1,5/ 4-GF-3,81 - 1827884

PCB headers, nominal cross section: 1.5 mm<sup>2</sup>, color: green, nominal current: 8 A, rated voltage (III/2): 160 V, contact surface: Tin, type of contact: Male connector, Number of potentials: 4, Number of rows: 1, Number of positions per row: 4, number of connections: 4, product range: MC 1,5/..-GF, pitch: 3.81 mm, mounting: Wave soldering, pin layout: Linear pinning, solder pin [P]: 3.4 mm, Stecksystem: MINI COMBICON, Locking: Screw locking, type of packaging: packed in cardboard



#### Printed-circuit board connector - MC 1,5/ 6-GF-3,81 - 1827907

PCB headers, nominal cross section: 1.5 mm<sup>2</sup>, color: green, nominal current: 8 A, rated voltage (III/2): 160 V, contact surface: Tin, type of contact: Male connector, Number of potentials: 6, Number of rows: 1, Number of positions per row: 6, number of connections: 6, product range: MC 1,5/..-GF, pitch: 3.81 mm, mounting: Wave soldering, pin layout: Linear pinning, solder pin [P]: 3.4 mm, Stecksystem: MINI COMBICON, Locking: Screw locking, type of packaging: packed in cardboard



## Fiber optic - MC 1,5/10-LWL 1,5-3,81 - 1841174

### Accessories

#### Printed-circuit board connector - MC 1,5/ 7-GF-3,81 - 1827910

PCB headers, nominal cross section: 1.5 mm<sup>2</sup>, color: green, nominal current: 8 A, rated voltage (III/2): 160 V, contact surface: Tin, type of contact: Male connector, Number of potentials: 7, Number of rows: 1, Number of positions per row: 7, number of connections: 7, product range: MC 1,5/..-GF, pitch: 3.81 mm, mounting: Wave soldering, pin layout: Linear pinning, solder pin [P]: 3.4 mm, Stecksyst.: MINI COMBICON, Locking: Screw locking, type of packaging: packed in cardboard



#### Printed-circuit board connector - MC 1,5/12-GF-3,81 - 1827965

PCB headers, nominal cross section: 1.5 mm<sup>2</sup>, color: green, nominal current: 8 A, rated voltage (III/2): 160 V, contact surface: Tin, type of contact: Male connector, Number of potentials: 12, Number of rows: 1, Number of positions per row: 12, number of connections: 12, product range: MC 1,5/..-GF, pitch: 3.81 mm, mounting: Wave soldering, pin layout: Linear pinning, solder pin [P]: 3.4 mm, Stecksyst.: MINI COMBICON, Locking: Screw locking, type of packaging: packed in cardboard



#### Printed-circuit board connector - MC 1,5/13-GF-3,81 - 1827978

PCB headers, nominal cross section: 1.5 mm<sup>2</sup>, color: green, nominal current: 8 A, rated voltage (III/2): 160 V, contact surface: Tin, type of contact: Male connector, Number of potentials: 13, Number of rows: 1, Number of positions per row: 13, number of connections: 13, product range: MC 1,5/..-GF, pitch: 3.81 mm, mounting: Wave soldering, pin layout: Linear pinning, solder pin [P]: 3.4 mm, Stecksyst.: MINI COMBICON, Locking: Screw locking, type of packaging: packed in cardboard



#### Printed-circuit board connector - MC 1,5/16-GF-3,81 - 1828003

PCB headers, nominal cross section: 1.5 mm<sup>2</sup>, color: green, nominal current: 8 A, rated voltage (III/2): 160 V, contact surface: Tin, type of contact: Male connector, Number of potentials: 16, Number of rows: 1, Number of positions per row: 16, number of connections: 16, product range: MC 1,5/..-GF, pitch: 3.81 mm, mounting: Wave soldering, pin layout: Linear pinning, solder pin [P]: 3.4 mm, Stecksyst.: MINI COMBICON, Locking: Screw locking, type of packaging: packed in cardboard



#### Printed-circuit board connector - MC 1,5/18-GF-3,81 - 1848423

PCB headers, nominal cross section: 1.5 mm<sup>2</sup>, color: green, nominal current: 8 A, rated voltage (III/2): 160 V, contact surface: Tin, type of contact: Male connector, Number of potentials: 18, Number of rows: 1, Number of positions per row: 18, number of connections: 18, product range: MC 1,5/..-GF, pitch: 3.81 mm, mounting: Wave soldering, pin layout: Linear pinning, solder pin [P]: 3.4 mm, Stecksyst.: MINI COMBICON, Locking: Screw locking, type of packaging: packed in cardboard



## Fiber optic - MC 1,5/10-LWL 1,5-3,81 - 1841174

### Accessories

#### Printed-circuit board connector - MC 1,5/19-GF-3,81 - 1848436

PCB headers, nominal cross section: 1.5 mm<sup>2</sup>, color: green, nominal current: 8 A, rated voltage (III/2): 160 V, contact surface: Tin, type of contact: Male connector, Number of potentials: 19, Number of rows: 1, Number of positions per row: 19, number of connections: 19, product range: MC 1,5/..-GF, pitch: 3.81 mm, mounting: Wave soldering, pin layout: Linear pinning, solder pin [P]: 3.4 mm, Stecksyst. system: MINI COMBICON, Locking: Screw locking, type of packaging: packed in cardboard



#### Printed-circuit board connector - MC 1,5/10-GF-3,81 - 1827949

PCB headers, nominal cross section: 1.5 mm<sup>2</sup>, color: green, nominal current: 8 A, rated voltage (III/2): 160 V, contact surface: Tin, type of contact: Male connector, Number of potentials: 10, Number of rows: 1, Number of positions per row: 10, number of connections: 10, product range: MC 1,5/..-GF, pitch: 3.81 mm, mounting: Wave soldering, pin layout: Linear pinning, solder pin [P]: 3.4 mm, Stecksyst. system: MINI COMBICON, Locking: Screw locking, type of packaging: packed in cardboard



#### Printed-circuit board connector - MC 1,5/ 5-GF-3,81 - 1827897

PCB headers, nominal cross section: 1.5 mm<sup>2</sup>, color: green, nominal current: 8 A, rated voltage (III/2): 160 V, contact surface: Tin, type of contact: Male connector, Number of potentials: 5, Number of rows: 1, Number of positions per row: 5, number of connections: 5, product range: MC 1,5/..-GF, pitch: 3.81 mm, mounting: Wave soldering, pin layout: Linear pinning, solder pin [P]: 3.4 mm, Stecksyst. system: MINI COMBICON, Locking: Screw locking, type of packaging: packed in cardboard



#### Printed-circuit board connector - MC 1,5/17-GF-3,81 - 1848410

PCB headers, nominal cross section: 1.5 mm<sup>2</sup>, color: green, nominal current: 8 A, rated voltage (III/2): 160 V, contact surface: Tin, type of contact: Male connector, Number of potentials: 17, Number of rows: 1, Number of positions per row: 17, number of connections: 17, product range: MC 1,5/..-GF, pitch: 3.81 mm, mounting: Wave soldering, pin layout: Linear pinning, solder pin [P]: 3.4 mm, Stecksyst. system: MINI COMBICON, Locking: Screw locking, type of packaging: packed in cardboard



#### Printed-circuit board connector - MC 1,5/15-GF-3,81 - 1827994

PCB headers, nominal cross section: 1.5 mm<sup>2</sup>, color: green, nominal current: 8 A, rated voltage (III/2): 160 V, contact surface: Tin, type of contact: Male connector, Number of potentials: 15, Number of rows: 1, Number of positions per row: 15, number of connections: 15, product range: MC 1,5/..-GF, pitch: 3.81 mm, mounting: Wave soldering, pin layout: Linear pinning, solder pin [P]: 3.4 mm, Stecksyst. system: MINI COMBICON, Locking: Screw locking, type of packaging: packed in cardboard



## Fiber optic - MC 1,5/10-LWL 1,5-3,81 - 1841174

### Accessories

#### Printed-circuit board connector - MC 1,5/14-GF-3,81 - 1827981

PCB headers, nominal cross section: 1.5 mm<sup>2</sup>, color: green, nominal current: 8 A, rated voltage (III/2): 160 V, contact surface: Tin, type of contact: Male connector, Number of potentials: 14, Number of rows: 1, Number of positions per row: 14, number of connections: 14, product range: MC 1,5/..-GF, pitch: 3.81 mm, mounting: Wave soldering, pin layout: Linear pinning, solder pin [P]: 3.4 mm, Stecksystem: MINI COMBICON, Locking: Screw locking, type of packaging: packed in cardboard



#### Printed-circuit board connector - MC 1,5/11-GF-3,81 - 1827952

PCB headers, nominal cross section: 1.5 mm<sup>2</sup>, color: green, nominal current: 8 A, rated voltage (III/2): 160 V, contact surface: Tin, type of contact: Male connector, Number of potentials: 11, Number of rows: 1, Number of positions per row: 11, number of connections: 11, product range: MC 1,5/..-GF, pitch: 3.81 mm, mounting: Wave soldering, pin layout: Linear pinning, solder pin [P]: 3.4 mm, Stecksystem: MINI COMBICON, Locking: Screw locking, type of packaging: packed in cardboard



#### Printed-circuit board connector - MC 1,5/ 8-GF-3,81 - 1827923

PCB headers, nominal cross section: 1.5 mm<sup>2</sup>, color: green, nominal current: 8 A, rated voltage (III/2): 160 V, contact surface: Tin, type of contact: Male connector, Number of potentials: 8, Number of rows: 1, Number of positions per row: 8, number of connections: 8, product range: MC 1,5/..-GF, pitch: 3.81 mm, mounting: Wave soldering, pin layout: Linear pinning, solder pin [P]: 3.4 mm, Stecksystem: MINI COMBICON, Locking: Screw locking, type of packaging: packed in cardboard



#### Printed-circuit board connector - MC 1,5/20-GF-3,81 - 1848449

PCB headers, nominal cross section: 1.5 mm<sup>2</sup>, color: green, nominal current: 8 A, rated voltage (III/2): 160 V, contact surface: Tin, type of contact: Male connector, Number of potentials: 20, Number of rows: 1, Number of positions per row: 20, number of connections: 20, product range: MC 1,5/..-GF, pitch: 3.81 mm, mounting: Wave soldering, pin layout: Linear pinning, solder pin [P]: 3.4 mm, Stecksystem: MINI COMBICON, Locking: Screw locking, type of packaging: packed in cardboard



#### Printed-circuit board connector - MC 1,5/ 9-GF-3,81 - 1827936

PCB headers, nominal cross section: 1.5 mm<sup>2</sup>, color: green, nominal current: 8 A, rated voltage (III/2): 160 V, contact surface: Tin, type of contact: Male connector, Number of potentials: 9, Number of rows: 1, Number of positions per row: 9, number of connections: 9, product range: MC 1,5/..-GF, pitch: 3.81 mm, mounting: Wave soldering, pin layout: Linear pinning, solder pin [P]: 3.4 mm, Stecksystem: MINI COMBICON, Locking: Screw locking, type of packaging: packed in cardboard



## Fiber optic - MC 1,5/10-LWL 1,5-3,81 - 1841174

### Accessories

#### Printed-circuit board connector - MC 1,5/19-G-3,81 - 1841284

PCB headers, nominal cross section: 1.5 mm<sup>2</sup>, color: green, nominal current: 8 A, rated voltage (III/2): 160 V, contact surface: Tin, type of contact: Male connector, Number of potentials: 19, Number of rows: 1, Number of positions per row: 19, number of connections: 19, product range: MC 1,5/..-G, pitch: 3.81 mm, mounting: Wave soldering, pin layout: Linear pinning, solder pin [P]: 3.4 mm, Stecksystem: MINI COMBICON, Locking: without, type of packaging: packed in cardboard



#### Printed-circuit board connector - MC 1,5/ 2-G-3,81 - 1803277

PCB headers, nominal cross section: 1.5 mm<sup>2</sup>, color: green, nominal current: 8 A, rated voltage (III/2): 160 V, contact surface: Tin, type of contact: Male connector, Number of potentials: 2, Number of rows: 1, Number of positions per row: 2, number of connections: 2, product range: MC 1,5/..-G, pitch: 3.81 mm, mounting: Wave soldering, pin layout: Linear pinning, solder pin [P]: 3.4 mm, Stecksystem: MINI COMBICON, Locking: without, type of packaging: packed in cardboard



#### Printed-circuit board connector - MC 1,5/ 3-G-3,81 - 1803280

PCB headers, nominal cross section: 1.5 mm<sup>2</sup>, color: green, nominal current: 8 A, rated voltage (III/2): 160 V, contact surface: Tin, type of contact: Male connector, Number of potentials: 3, Number of rows: 1, Number of positions per row: 3, number of connections: 3, product range: MC 1,5/..-G, pitch: 3.81 mm, mounting: Wave soldering, pin layout: Linear pinning, solder pin [P]: 3.4 mm, Stecksystem: MINI COMBICON, Locking: without, type of packaging: packed in cardboard



#### Printed-circuit board connector - MC 1,5/ 5-G-3,81 - 1803303

PCB headers, nominal cross section: 1.5 mm<sup>2</sup>, color: green, nominal current: 8 A, rated voltage (III/2): 160 V, contact surface: Tin, type of contact: Male connector, Number of potentials: 5, Number of rows: 1, Number of positions per row: 5, number of connections: 5, product range: MC 1,5/..-G, pitch: 3.81 mm, mounting: Wave soldering, pin layout: Linear pinning, solder pin [P]: 3.4 mm, Stecksystem: MINI COMBICON, Locking: without, type of packaging: packed in cardboard



#### Printed-circuit board connector - MC 1,5/ 6-G-3,81 - 1803316

PCB headers, nominal cross section: 1.5 mm<sup>2</sup>, color: green, nominal current: 8 A, rated voltage (III/2): 160 V, contact surface: Tin, type of contact: Male connector, Number of potentials: 6, Number of rows: 1, Number of positions per row: 6, number of connections: 6, product range: MC 1,5/..-G, pitch: 3.81 mm, mounting: Wave soldering, pin layout: Linear pinning, solder pin [P]: 3.4 mm, Stecksystem: MINI COMBICON, Locking: without, type of packaging: packed in cardboard



## Fiber optic - MC 1,5/10-LWL 1,5-3,81 - 1841174

### Accessories

#### Printed-circuit board connector - MC 1,5/ 8-G-3,81 - 1803332

PCB headers, nominal cross section: 1.5 mm<sup>2</sup>, color: green, nominal current: 8 A, rated voltage (III/2): 160 V, contact surface: Tin, type of contact: Male connector, Number of potentials: 8, Number of rows: 1, Number of positions per row: 8, number of connections: 8, product range: MC 1,5/..-G, pitch: 3.81 mm, mounting: Wave soldering, pin layout: Linear pinning, solder pin [P]: 3.4 mm, Stecksystem: MINI COMBICON, Locking: without, type of packaging: packed in cardboard



#### Printed-circuit board connector - MC 1,5/ 9-G-3,81 - 1803345

PCB headers, nominal cross section: 1.5 mm<sup>2</sup>, color: green, nominal current: 8 A, rated voltage (III/2): 160 V, contact surface: Tin, type of contact: Male connector, Number of potentials: 9, Number of rows: 1, Number of positions per row: 9, number of connections: 9, product range: MC 1,5/..-G, pitch: 3.81 mm, mounting: Wave soldering, pin layout: Linear pinning, solder pin [P]: 3.4 mm, Stecksystem: MINI COMBICON, Locking: without, type of packaging: packed in cardboard



#### Feed-through header - MC 1,5/10-G-3,81 - 1803358

PCB headers, nominal cross section: 1.5 mm<sup>2</sup>, color: green, nominal current: 8 A, rated voltage (III/2): 160 V, contact surface: Tin, type of contact: Male connector, Number of potentials: 10, Number of rows: 1, Number of positions per row: 10, number of connections: 10, product range: MC 1,5/..-G, pitch: 3.81 mm, mounting: Wave soldering, pin layout: Linear pinning, solder pin [P]: 3.4 mm, Stecksystem: MINI COMBICON, Locking: without, type of packaging: packed in cardboard



#### Printed-circuit board connector - MC 1,5/11-G-3,81 - 1803361

PCB headers, nominal cross section: 1.5 mm<sup>2</sup>, color: green, nominal current: 8 A, rated voltage (III/2): 160 V, contact surface: Tin, type of contact: Male connector, Number of potentials: 11, Number of rows: 1, Number of positions per row: 11, number of connections: 11, product range: MC 1,5/..-G, pitch: 3.81 mm, mounting: Wave soldering, pin layout: Linear pinning, solder pin [P]: 3.4 mm, Stecksystem: MINI COMBICON, Locking: without, type of packaging: packed in cardboard



#### Printed-circuit board connector - MC 1,5/13-G-3,81 - 1803387

PCB headers, nominal cross section: 1.5 mm<sup>2</sup>, color: green, nominal current: 8 A, rated voltage (III/2): 160 V, contact surface: Tin, type of contact: Male connector, Number of potentials: 13, Number of rows: 1, Number of positions per row: 13, number of connections: 13, product range: MC 1,5/..-G, pitch: 3.81 mm, mounting: Wave soldering, pin layout: Linear pinning, solder pin [P]: 3.4 mm, Stecksystem: MINI COMBICON, Locking: without, type of packaging: packed in cardboard



## Fiber optic - MC 1,5/10-LWL 1,5-3,81 - 1841174

### Accessories

#### Printed-circuit board connector - MC 1,5/15-G-3,81 - 1803400

PCB headers, nominal cross section: 1.5 mm<sup>2</sup>, color: green, nominal current: 8 A, rated voltage (III/2): 160 V, contact surface: Tin, type of contact: Male connector, Number of potentials: 15, Number of rows: 1, Number of positions per row: 15, number of connections: 15, product range: MC 1,5/..-G, pitch: 3.81 mm, mounting: Wave soldering, pin layout: Linear pinning, solder pin [P]: 3.4 mm, Stecksyst.: MINI COMBICON, Locking: without, type of packaging: packed in cardboard



#### Printed-circuit board connector - MC 1,5/16-G-3,81 - 1803413

PCB headers, nominal cross section: 1.5 mm<sup>2</sup>, color: green, nominal current: 8 A, rated voltage (III/2): 160 V, contact surface: Tin, type of contact: Male connector, Number of potentials: 16, Number of rows: 1, Number of positions per row: 16, number of connections: 16, product range: MC 1,5/..-G, pitch: 3.81 mm, mounting: Wave soldering, pin layout: Linear pinning, solder pin [P]: 3.4 mm, Stecksyst.: MINI COMBICON, Locking: without, type of packaging: packed in cardboard



#### Printed-circuit board connector - MC 1,5/20-G-3,81 - 1841271

PCB headers, nominal cross section: 1.5 mm<sup>2</sup>, color: green, nominal current: 8 A, rated voltage (III/2): 160 V, contact surface: Tin, type of contact: Male connector, Number of potentials: 20, Number of rows: 1, Number of positions per row: 20, number of connections: 20, product range: MC 1,5/..-G, pitch: 3.81 mm, mounting: Wave soldering, pin layout: Linear pinning, solder pin [P]: 3.4 mm, Stecksyst.: MINI COMBICON, Locking: without, type of packaging: packed in cardboard



#### Printed-circuit board connector - MC 1,5/18-G-3,81 - 1841297

PCB headers, nominal cross section: 1.5 mm<sup>2</sup>, color: green, nominal current: 8 A, rated voltage (III/2): 160 V, contact surface: Tin, type of contact: Male connector, Number of potentials: 18, Number of rows: 1, Number of positions per row: 18, number of connections: 18, product range: MC 1,5/..-G, pitch: 3.81 mm, mounting: Wave soldering, pin layout: Linear pinning, solder pin [P]: 3.4 mm, Stecksyst.: MINI COMBICON, Locking: without, type of packaging: packed in cardboard



#### Printed-circuit board connector - MC 1,5/17-G-3,81 - 1841307

PCB headers, nominal cross section: 1.5 mm<sup>2</sup>, color: green, nominal current: 8 A, rated voltage (III/2): 160 V, contact surface: Tin, type of contact: Male connector, Number of potentials: 17, Number of rows: 1, Number of positions per row: 17, number of connections: 17, product range: MC 1,5/..-G, pitch: 3.81 mm, mounting: Wave soldering, pin layout: Linear pinning, solder pin [P]: 3.4 mm, Stecksyst.: MINI COMBICON, Locking: without, type of packaging: packed in cardboard



## Fiber optic - MC 1,5/10-LWL 1,5-3,81 - 1841174

### Accessories

Printed-circuit board connector - MC 1,5/ 7-G-3,81 - 1803329

PCB headers, nominal cross section: 1.5 mm<sup>2</sup>, color: green, nominal current: 8 A, rated voltage (III/2): 160 V, contact surface: Tin, type of contact: Male connector, Number of potentials: 7, Number of rows: 1, Number of positions per row: 7, number of connections: 7, product range: MC 1,5/..-G, pitch: 3.81 mm, mounting: Wave soldering, pin layout: Linear pinning, solder pin [P]: 3.4 mm, Stecksystem: MINI COMBICON, Locking: without, type of packaging: packed in cardboard



---

Phoenix Contact 2020 © - all rights reserved  
<http://www.phoenixcontact.com>

PHOENIX CONTACT GmbH & Co. KG  
Flachsmarktstr. 8  
32825 Blomberg  
Germany  
Tel. +49 5235 300  
Fax +49 5235 3 41200  
<http://www.phoenixcontact.com>